

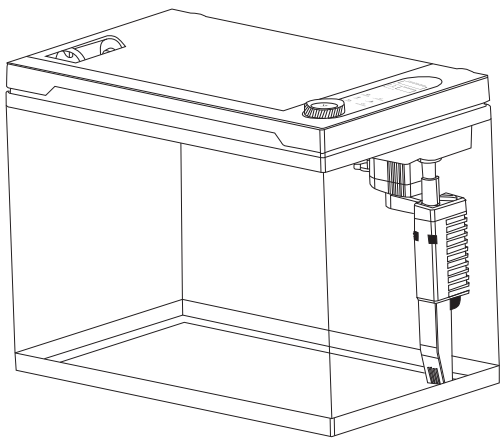


E-mail: [distributor@hyggeraquarium.com](mailto:distributor@hyggeraquarium.com)

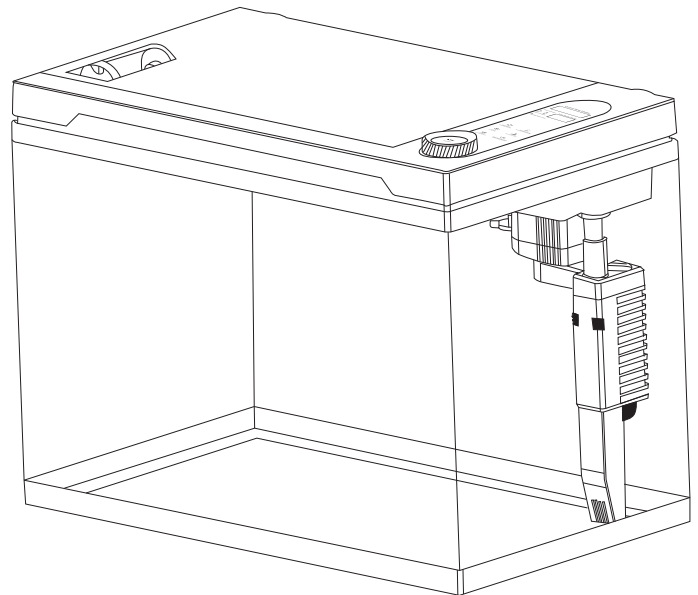
Website: [www.hyggeraquarium.com](http://www.hyggeraquarium.com)



# HG146 hygger Smart Aquarium Starter Kit User Manual



**HG146-6GAL**



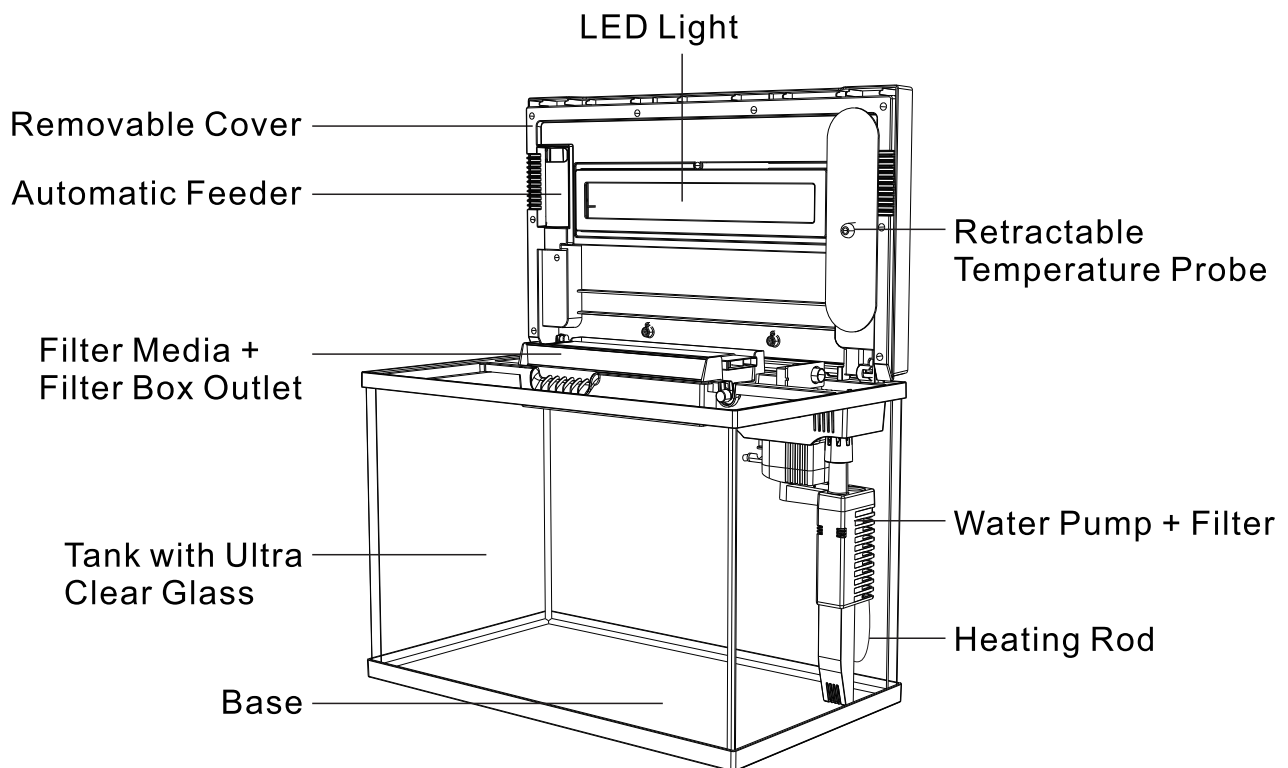
**HG146-10GAL**

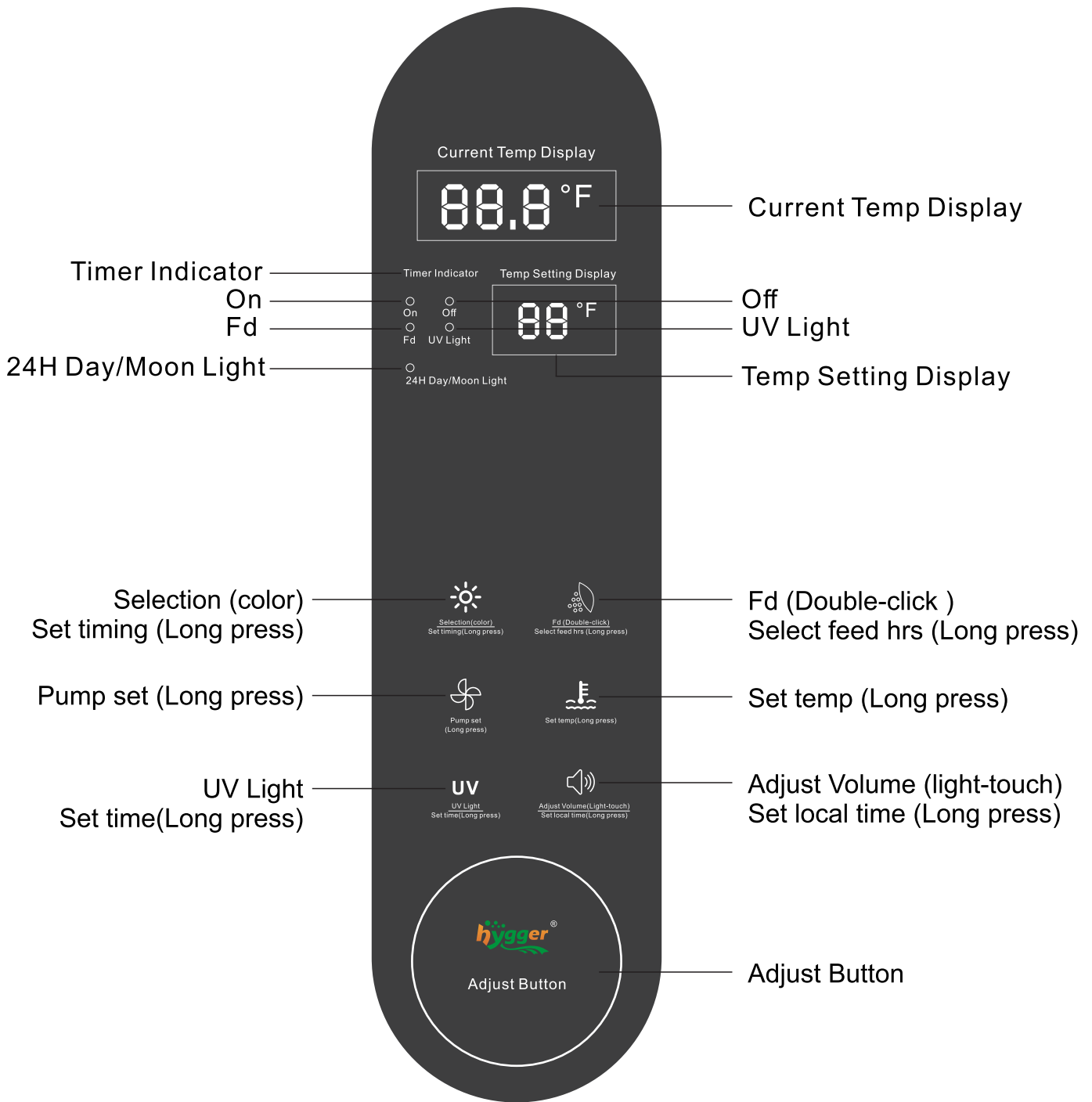
The hygger Smart Aquarium Starter Kit is one of hygger's New View Aquarium Tank Kit Series. It is ideal for the avid aquarist or someone just starting out in the aquarium world. The innovative look adds a stylish accent to any home or office. hygger will change your view!

# 1. PRODUCT FEATURES

- **Ultra clear glass:** The most transparent glass allows for a clear view of the inside of the aquarium.
- **LED hood with acrylic operation interface:** Six colors are available in the LED (white, light white, yellow and white, pink and white, blue and white, multi-color cycle) to make your aquarium more beautiful and attractive. The 8D filter media can be reused. We recommend cleaning the aquarium and filter media every 1-2 weeks, depending on the number of fish in the aquarium.
- **3-in-1 submersible pump:** The 3-in-1 power head filter fulfills three functions simultaneously: water filtration, water circulation, and aeration.
- **LCD temperature display:** Integrated with temperature probe and digital temperature display, it is easy to know the water temperature in the aquarium.
- **Easy to set up and maintain:** The design of this aquarium kit makes setting up an aquarium a breeze. Every element of the kit is easy to assemble and maintain.

# 2. FUNCTION DIAGRAM





### 3. PRODUCT PARAMETER

Capacity	Material	Glass Thickness	Dimension
6 Gallons/23L	Ultra Clear Glass	1/4inch (5mm)	14.8×9.3×10.4 inches (37.5x23.5x26.5cm)
10 Gallons/36L			17.9x10.2x12.2 inches (45.5x26x31cm)



## LIGHT

Light	Power	Voltage	LEDs
RGB 5050 Light	10W	Input: AC100-240V/ 50-60Hz Output: DC12V	6 Gallons: 18pcs RGB/9pcs 5730
UV Light	3W		10 Gallons: 24pcs RGB/12pcs 5730

## SUBMERSIBLE PUMP

Power	Voltage	H-max	Q-max
10W	Input: AC100-240V 50-60Hz Output: DC 12V	3.6 ft (1.1m)	120 GPH (450L/H)

## HEATER

Material	Power	Voltage
Quartz Glass	100W	US standard: AC 110-120V/60Hz EU/UK/AU standard: AC220-240V/50Hz

## AUTOMATIC FEEDER

Capacity
35ML

## 4. QUICK SETUP GUIDE

### Tank setup attentions

- First, clean the tank and filter with clean water and towels. Do not use any chemicals not intended for use in the aquarium.
- Place the tank on a level, stable, and completely flat surface in your desired location. Please keep it away from direct sunlight and ventilation openings.
- Rinse gravel and decoration (not included) and decorate your aquarium before adding water to avoid overfilling.

d. Rinse out the filter media cartridge and the other filter parts, and then fit the widened shower pipe connections into the preformed opening according to the following instructions (After installation, make sure the two grooves and one black snap hold the outlet connections in place so that they do not come loose and water can escape around the edges.)

e. Fill the tank with water. Make sure that the submersible pump is completely submerged in the water. For the filter to function properly, the water level must reach the lower outer edge of the right half part of the black filter box.

## Installation

1. Unpack the aquarium kit (If the cover is loose, snap it back on the tank, as shown in figure 1) .
2. Check parts according to the packing list.
3. Connect the water pump /light/heater cables with the power supply. Align the two alignment holes and connect the cables. Then torque to tighten the lock nut as shown in figure 2 (Connect the power supply according to the device name sticker on each cable).
4. Connect the power supply and use it directly.

Figure 1

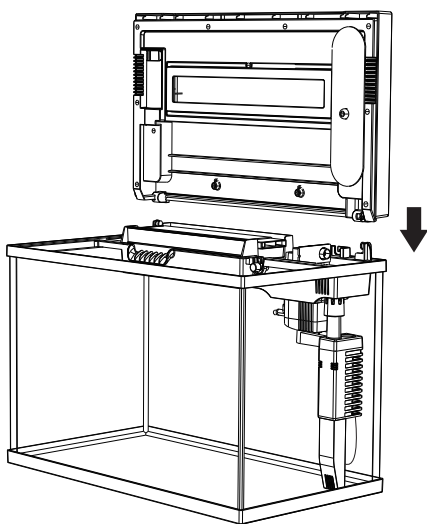
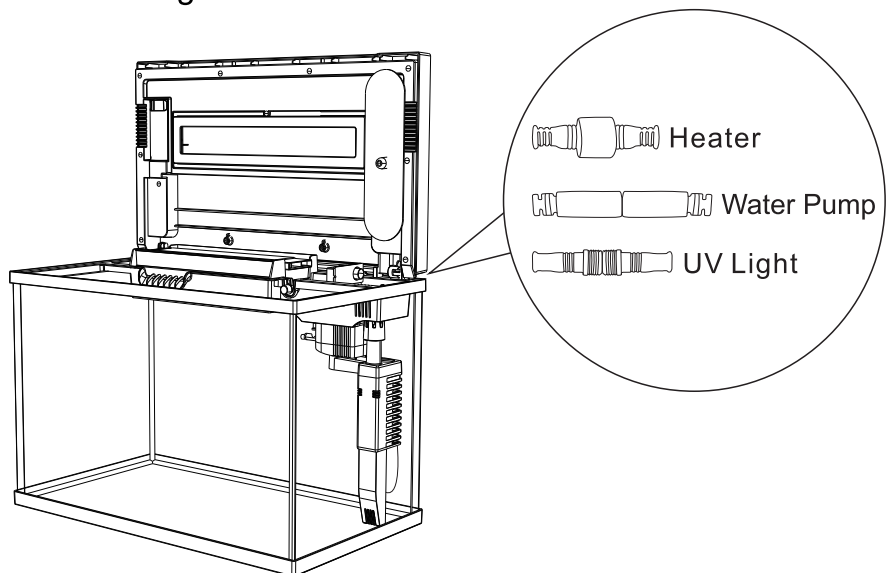
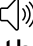



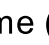


Figure 2



## Settings

### Local time and volume settings

a) Click  to set the volume of all keys, and the blue number flashes on the small screen. Look at the small screen and turn the volume rotary knob to adjust the volume. There are 11 volume levels available: b00, b01, b02, b03, b04, b05, b06, b07, b08, b09, b10, whereby the volume is increased one after the other. Once you have selected the desired volume, the blue numbers on the small screen will flash several times to indicate that the settings have been saved. Alternatively, press and hold  to save the settings. Note: “b00” means silent mode.

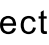
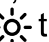
b) Press and hold  to set the local time (24-hour system), and the white number flashes on the large screen. Look at the large screen and turn the rotary knob to set the hour time, then click  to set the minute time. Once you have completed the settings, the white numbers on the large screen will flash several times to indicate that the settings have been saved. Alternatively, press and hold  to save the settings.

The last light color is 24/7 light mode, the 24H Day/Moon indicator lights up when this mode is selected. The light color changes according to the local time. The light and brightness are as follows:



6:30-6:45	Orange Light
6:45-10:30	50% white light
10:30-16:00	100% white light
16:00-18:00	50% white light
18:00-18:20	50% blue light
18:20-22:00	20% blue light

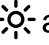
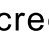
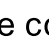
**Note:** The time, brightness and color of this mode are not adjustable and are the factory default settings.


### Lighting setting

a) Click  to select the light color (white, light white, yellow and white, pink and white, blue and white, multi-color cycle). Each click changes the light color; once the desired color is selected, the setting is automatically saved without any operation. Alternatively, press and hold  to save the settings.

b) Set the start and end of lighting time

Press and hold , the indicator light for switch-on, and the large screen starts to flash. To set the start of the lighting time, look at the large screen and turn the rotary knob to set the hour time, then click  to set the minute time using the rotary knob.


Then click  again to set the end of lighting time; at this time, the indicator light for switch-off and the large screen starts to flash. To set the end of the lighting time, look at the large screen and turn the rotary knob to set the hour time, then click  to set the minute time using the rotary knob. Then, you do not need to press any more keys. After the minute display on the large screen blinks several times, the display on the large screen should return to the real-time temperature display and the lighting start and end time settings are complete. Alternatively, press and hold  to save the settings.

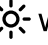
c) If you do not need to set the light timer, press and hold  to enter the light setting, turn the knob to "----", press briefly to save, and the indicator "On" is off. Continue to press briefly, adjust the knob and the screen display "----", press briefly to save, and the "Off" indicator is off. This timer is completely off.

**d) When the settings for the start and end time of the lighting have been completed, the device switches on automatically and operates according to the originally set values on each subsequent day.**


**NOTE:**



If you only want to change the light color after setting, you only need to operate the color setting again and do not need to do anything for the time setting. If you only want to change the time, simply operate the color setting again.

If you want to change the start of the lighting time, do not press any other keys after resetting the start time. After the minute display on the large screen flashes several times, the display on the large screen should return to the real-time temperature display, indicating the settings are complete. Alternatively, press and hold  to save the settings.

After setting the start and end times, the key  will not light up outside this period, but the program will run and light up automatically when the set time is reached. If the indicator light for switch-on and switch-off lights up, this indicates the set program is running.

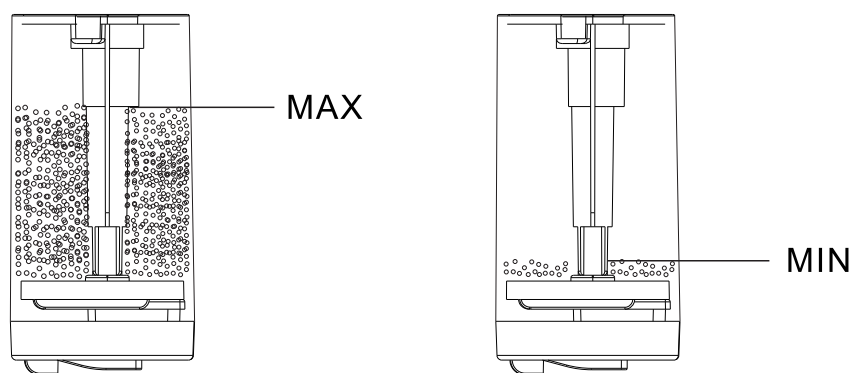
### Automatic feeding setting

a) Double-click , the feeder rotates to feed; a double-click only revolves around one cycle. The amount of fish food that enters the tank depends on the amount of fish food in the feeder; the more fish food in the feeder, the more fish food enters the tank. Regularly check the amount of fish food in the feeder, and if the amount of fish food is low, double-click the button several times to feed the fish.

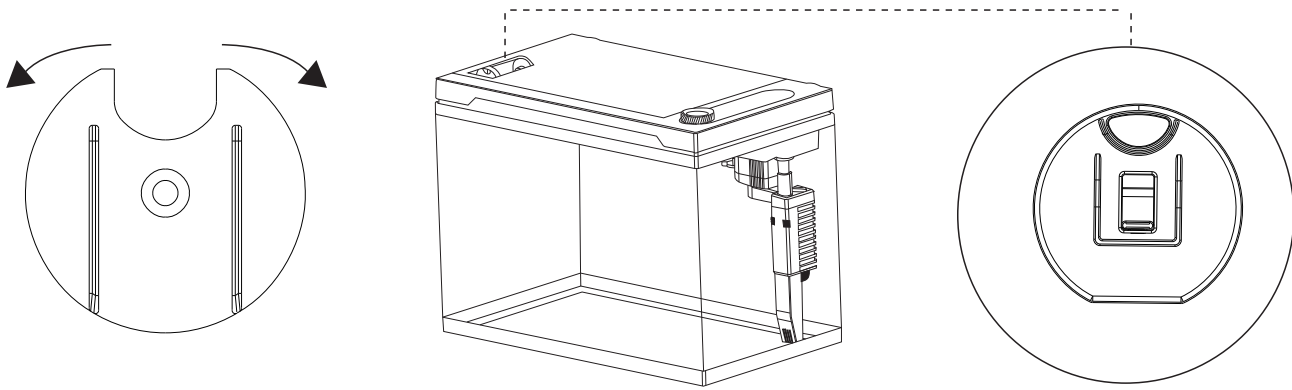
b) To set automatic feeding time, press and hold  and the blue number flashes on the small screen. Look at the small screen and turn the rotary knob to select desired feeding duration from 01H, 02H, 03H, 04H to 99H (For example, if you select 04H, the automatic feeder will feed automatically every four hours). Then, you do not need to press any more keys, the white number on the small screen will flash several times to indicate that the settings have been saved. Alternatively, press and hold  to save the settings. "--H" indicates that the automatic feeding function is not activated, and the red indicator light for feeding is not lit.

c) You can double-click the feeding key manually without conflicting with the set automatic feeding time.


d) The amount of fish food to be added to the automatic feeder should be neither too much nor too little. Small pellets of fish food are recommended; large fish food may get stuck. Thinly sliced fish food in very small pieces can also be added to the feeder.






e) To replace the fish food and install the fish food container, turn the cover to the left or right to remove it. To refit the cover, align it with the container and push it down (Align the horizontal diamond corners). NOTE: When attaching the cover to the container, the small outlet of the cover should be at the top, and the small hole at the bottom of the container should be aligned with the protrusion on the cover.



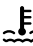
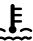
## Water pump setting

a) Press and hold  and the blue number flashes on the small screen. You can select the pump mode from 4 modes.

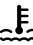
b) P0 indicates that the water pump setting function is switched off, and the key  will not light up when this function is selected.

c) Press and hold , and the blue number flashes on the small screen. Look at the small screen and turn the rotary knob to select desired water flow mode (P1, P2, P3). The speed of the water flow varies in different modes. When you have selected the desired mode, you do not need to press any more keys. After the minute display on the small screen flashes several times, the display on the small screen should return to the real-time temperature display, i.e., the settings are complete. Alternatively, press and hold  to save the settings.

## Temperature setting

a) Press and hold , and the blue number flashes on the small screen. Turn the rotary knob to set the desired temperature in the range of 21°C-37°C/ 70°F-99°F. Press the light key + feed key simultaneously for four seconds to switch between Celsius and Fahrenheit. When you have selected the desired mode, you do not need to press any more keys. After the minute display on the small screen flashes several times, the settings are saved automatically. Alternatively, press and hold  to save the settings.

b) To check the real-time water temperature, touch the water surface with the retractable temperature sensor on the lid.

c) The blue numbers on the small screen are the set temperature, and the white numbers on the large screen are the real-time temperature. When the heater heats up,  keeps flashing and stops flashing when the set temperature reaches or falls below the real-time temperature.

d) Note: If the set temperature is too low and the outside temperature is high, such as in summer, the difference between the real-time temperature and the set temperature may be significant, but this does not interfere with use. If the real-time temperature adversely affects fish and the fish are harmed by the high temperature, please contact the seller!

e) When not using the heating function, simply unplug the main power plug from the heating unit.

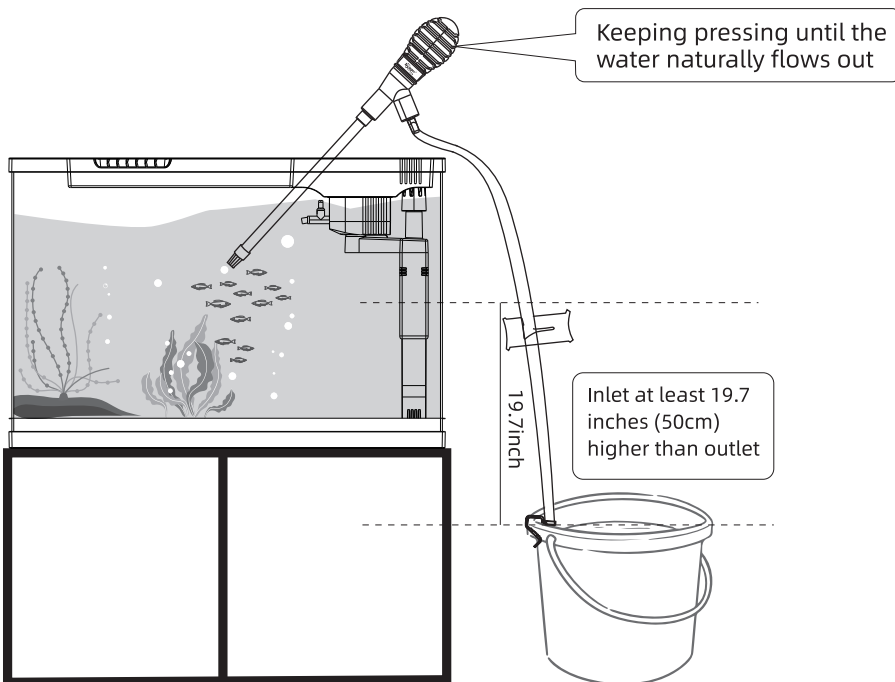
## UV setting

a) Press and hold uv, and the blue number flashes on the small screen. Look at the small screen and turn the rotary knob to select desired lighting duration from 01H, 02H, 03H, 04H.....to 24H. When you have selected the desired lighting duration, the light will switch on automatically at the same time the next day and runs for the set duration. You do not need to press any more keys. After the minute display on the small screen flashes several times, the display on the small screen should return to the real-time temperature display, i.e., the settings are complete. Alternatively, press and hold uv to save the settings.

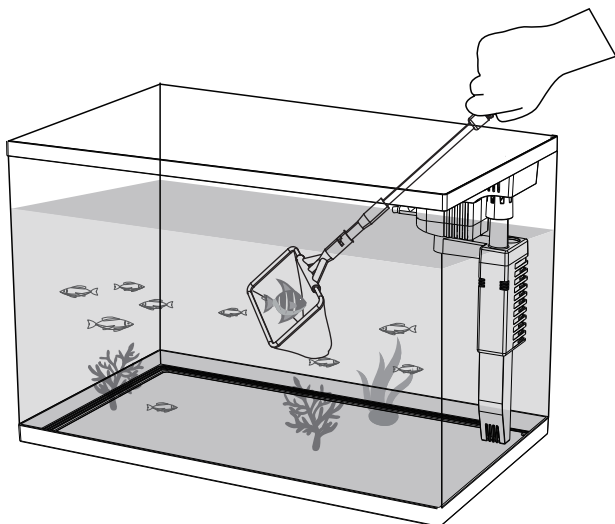
b) "--H" indicates that the UV setting function is switched off, and the UV indicator light will not light up when this function is selected.

## 5. INSTRUCTIONS FOR ACCESSORY

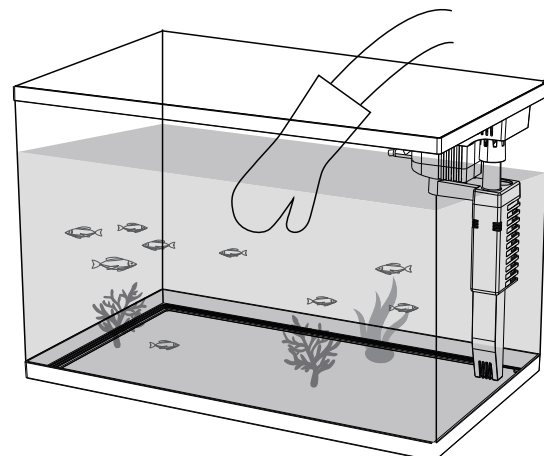
### A) Water changer



### B) Remove the fish before clean the tank



### C) Clean the tank



## **6. PACKING LIST**

- 1x Aquarium glass tank with removable hood cover
- 1x Submersible pump
- 1x Heating rod
- A set of filter media
- 1 bag water change accessories
- 1x Cleaning glove (for right hand only)
- 1x Fish net
- 1x User manual

## **7. MAINTENANCE**

### **Clean the pump and filter foam:**

1. Unplug the LED and submersible pump.
2. Remove the used filter foam from the tank and clean it. Reinstall it after cleaning.

## **8. TIPS FOR A SUCCESSFUL AQUARIUM**

- A. The LED light is recommended to be switched on for a maximum of 8 hours per day.
- B. Change 25% of the water once a week.
- C. Keep the water at an appropriate level so that the powerful filter functions properly.

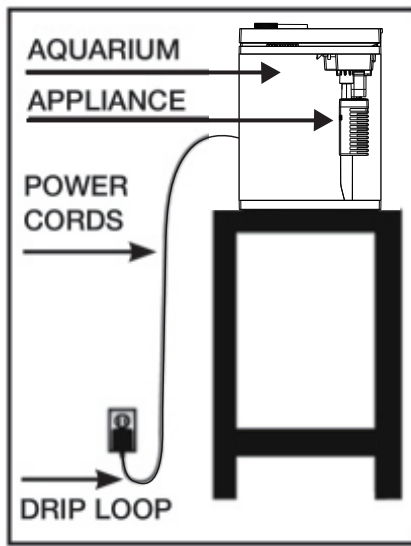
## **9. WARNING**

To guard against injury, basic safety precautions should be observed including the following:

1. Read and follow this user manual strictly.
2. **DANGER**-To avoid possible electric shock, special care should be taken since water is employed in the use of aquarium equipment. For each of the following situations, do not attempt to repair yourself. Return the appliance to an authorized service facility for service or discard the appliance.
  - A. If the appliance falls into the water, **DO NOT** reach for it! First unplug it and then retrieve it. If electrical components of the appliance get wet, unplug the appliance immediately.
  - B. Carefully examine the appliance after installation. It should not be plugged in if there is water on parts not intended to be wet.
  - C. Do not operate any appliance if it has a damaged cord or plug, if it is malfunctioning or if it is dropped or damaged in any manner.



D. To avoid the possibility of the appliance plug getting wet, position aquarium stand and tank to one side of a wall mounted receptacle to prevent water from dripping onto the receptacle or plug. A “drip loop”, shown in the figure below, should be arranged by the user for each cord connecting an aquarium appliance to the receptacle. The “drip loop” is the part of the cord below the level of the receptacle, or the connector. If an extension cord is used, to prevent water traveling along the cord and coming in contact with the receptacle. If the plug or receptacle does get wet, DO NOT unplug the cord. Disconnect the fuse to the circuit breaker that supplies power to the appliance. Then unplug and examine for the presence of water in the receptacle.



3. Close supervision is necessary when any appliance is used by or near children.
4. To avoid injury, do not contact moving parts or hot parts such as lamp bulbs and so on.
5. Always unplug the appliance from the outlet when not in use, before putting on or taking off parts, and before cleaning. Never yank the cord to pull plug from outlet. Grasp the plug and pull to disconnect.
6. Do not use an appliance for other than intended use. The use of attachments not recommended or sold by the appliance manufacturer may cause an unsafe condition.
7. Do not install or store the appliance where it will be exposed to the weather or to temperatures below freezing.
8. Make sure an appliance mounted on a tank is securely installed before operating it.
9. Read and observe all the important notices on the appliance.
10. If an extension cord is necessary, a cord with a proper rating should be used. A cord rated for less amperes or watts than the appliance rating may overheat. Care should be taken to arrange the cord so that it will not be tripped over or pulled.



11. The 2-conductor power cord has a polarized plug (one blade is wider than the other). As a safety feature, this plug will fit in a polarized outlet only one way. If the plug does not fit fully in the outlet, reverse the plug. If it still does not fit, contact a qualified electrician. Never use with an extension cord unless plug can be fully inserted. Do not attempt to defeat this safety feature.

12. The appliance is intended FOR HOUSEHOLD USE ONLY. Do not use or mount the appliance in such a way that the top vents are restricted or blocked. These vents are necessary to avoid overheating and ensure safe operating temperatures.

13. SAVE THIS USER MANUAL.

## **10. HYGGER LIMITED MANUFACTURER'S WARRANTY**

We offer the end user of this product a manufacturer warranty of 3 (2) years from the date of sale if this product was purchased from a hygger®-authorised specialist dealer

Retain receipt for any future warranty claim. Conditions apply. Products are guaranteed by hygger® Aquatic Supplies to the original purchaser against defective material and workmanship under normal use for a period up to 3 (2) years from the date of the original purchase through an Authorized Dealer. Refer to the User Manual included with your product for specific warranty details.

### **Products have no warranty if:**

- 1.) The product has been serviced, modified or tampered with by anyone other than hygger® Aquatic Supplies.
- 2.) The product has been abused or damaged (including broken or cracked bulbs), and/ or.
- 3.) The product has been transported without proper packaging.
- 4.) The product was purchased from an Unauthorized Reseller.

### **WARRANTY LIABILITY DISCLAIMER**

In no event will hygger® be liable for any consequential or incidental damages, including but not limited to, lost aquatic life, personal injury, property damage, equipment damage, lost profits, lost wages, lost savings, lost income, etc., arising out of the use of any hygger® products.

#### **1.0. Terms and Conditions of Warranty.**

- 1.1. hygger® warrants to the purchaser, for 3 (2) years from date of original purchase through an Authorized hygger® Reseller, free to repair or replace parts where fault is found due to defective materials or faulty workmanship and where goods do not operate in accordance with the instructions.
- 1.2. All claims for repair or replacement must be made at place of purchase.

- 1.3. Only the direct purchaser is entitled to warranty claims against us and these are not transferable without our consent.
- 1.4. The original and dated Proof of Purchase (receipt) must be supplied with all goods claims. Please also provide this Guarantee where possible.
- 1.5. Wear parts (e.g.: seals, suction devices, axes, pump wheels, light sources, pH electrodes, filter media, such as filter cartridges, as well as UVC burners), glass damage and the opening of the product, as well as structural changes or the use of non-hygger® original parts are excluded from the guarantee.
- 1.6. All goods subject to claim under Guarantee should be prepared for transportation in the original packaging or other comparable packaging which offers the same degree of protection and hygger® must incur no costs from the shipment.
- 1.7. Where claims on inspection reveal goods are in normal working order, hygger® will request reimbursement of all reasonable costs incurred.
- 1.8. Warranty claims do not exist in the case of only insignificant deviations from the agreed or customary condition or usability, e.g. insignificant deviations in colour, dimensions and/or quality or performance characteristics of the products.
- 1.9. Our warranty obligation extends only to the delivery of newly manufactured products. Unless otherwise agreed, used products are sold as seen, excluding any warranty.

For more warranty information, please see the hygger website.

## **11. CONTACT INFORMATION**

Distributed by: Hygger Aquarium, Inc.  
Chino, CA 91710

E-mail: [distributor@hyggeraquarium.com](mailto:distributor@hyggeraquarium.com)

Website: [www.hyggeraquarium.com](http://www.hyggeraquarium.com)

Trademarks of Shenzhen Mago Trading Co., Ltd  
Bantian Group Business Center, Longgang,  
Shenzhen City, China  
All Rights Reserved

Made in China